



# INSTALLATION INSTRUCTIONS

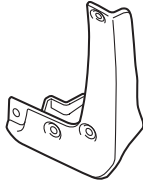
Accessory  
**SPLASH GUARDS**

Application  
**2015 RLX**

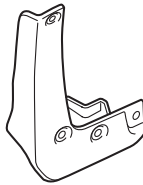
Publications No.  
**BII 51838**  
Issue Date  
**JULY 2014**

## PARTS LIST

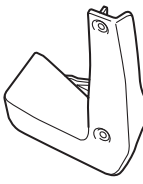
Left front splash guard



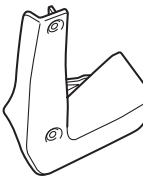
Right front splash guard



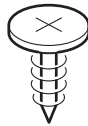
Left rear splash guard



Right rear splash guard



8 Self-tapping screws



2 Spring nuts A



2 Spring nuts B



Washer



## TOOL AND SUPPLIES REQUIRED

Phillips screwdriver

Pushpin

Stubby Phillips screwdriver

Drill

3 mm, 6 mm, and 8 mm Drill bits

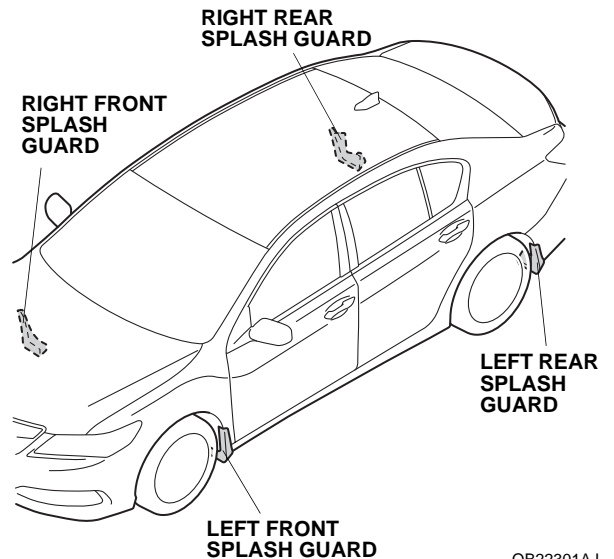
Eye protection (face shield, safety goggles, etc.)

File

High-quality paste wax

Service Manual

### *Illustration of the Splash Guards on the Vehicle*



## INSTALLATION

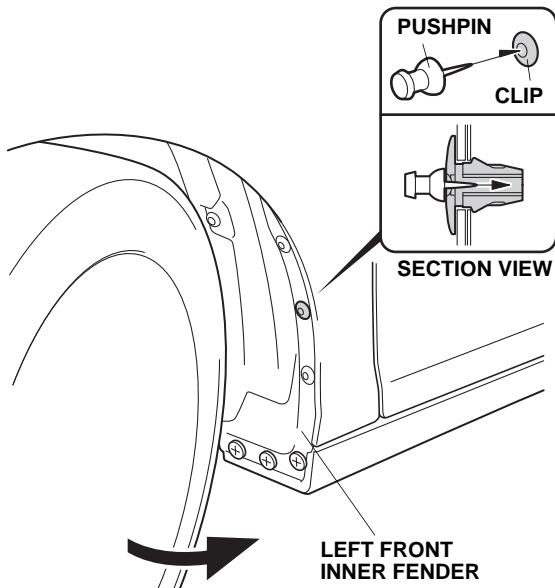
**Client Information:** The information in this installation instruction is intended for use only by skilled technicians who have the proper tools, equipment, and training to correctly and safely add equipment to your vehicle. These procedures should not be attempted by "do-it-yourselfers."

### NOTE:

- Be careful not to damage the body paint finish.
- Clean and wax the areas to be covered with a high-quality paste wax.

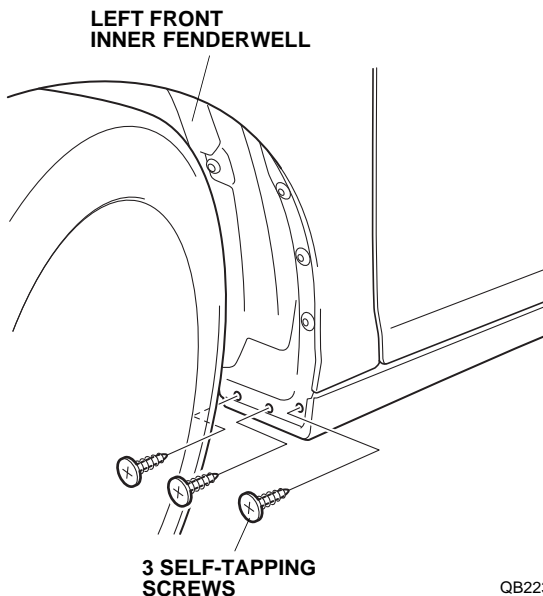
## Installing the Front Splash Guards

1. Turn the steering wheel fully counterclockwise.



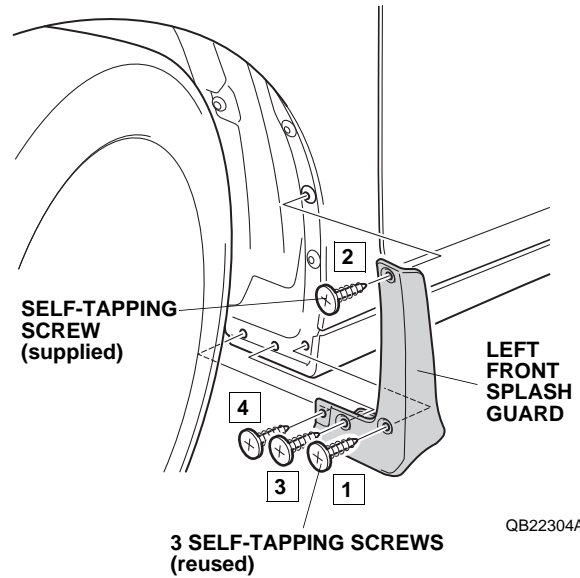
QB22302AJ

2. Using a pushpin, pierce the center clip shown on the left front inner fender.
3. Remove three self-tapping screws from the left front inner fenderwell.



QB22303AJ

4. Install the left front splash guard to the left front inner fender with one self-tapping screw supplied, and the three self-tapping screws removed in step 3 in this order **1** → **2** → **3** → **4**. Check that there is no gap between the left front splash guard and the vehicle body. If there is a gap, loosen the four self-tapping screws, hold the splash guard against the body, and retighten the screws.

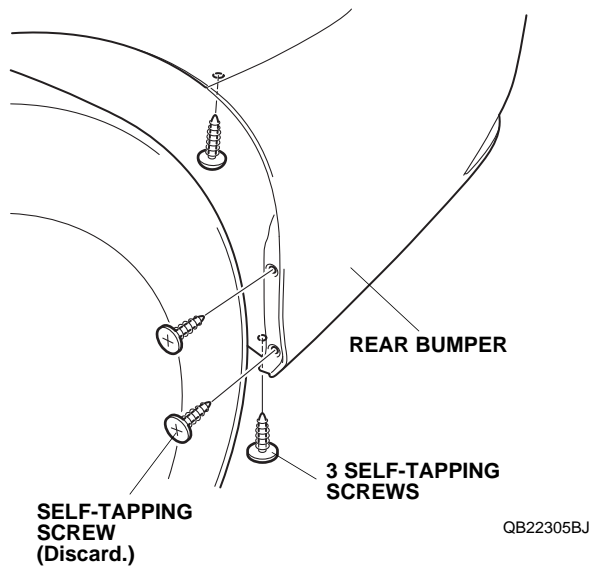


QB22304AJ

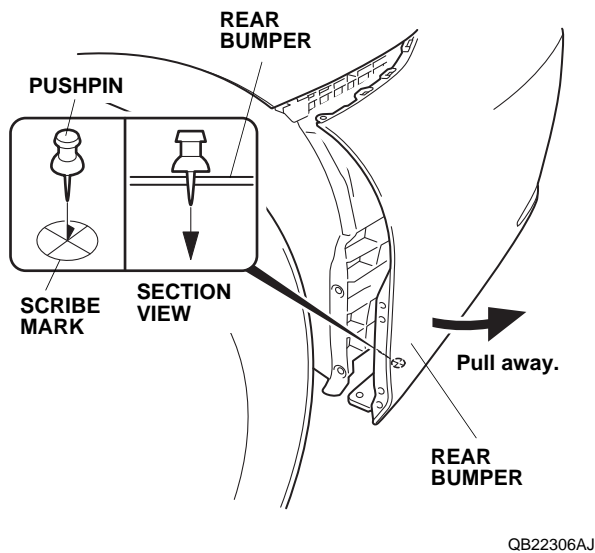
5. Turn the steering wheel fully clockwise, and repeat steps 2 through 4 to install the right front splash guard.

## Installing the Rear Splash Guards

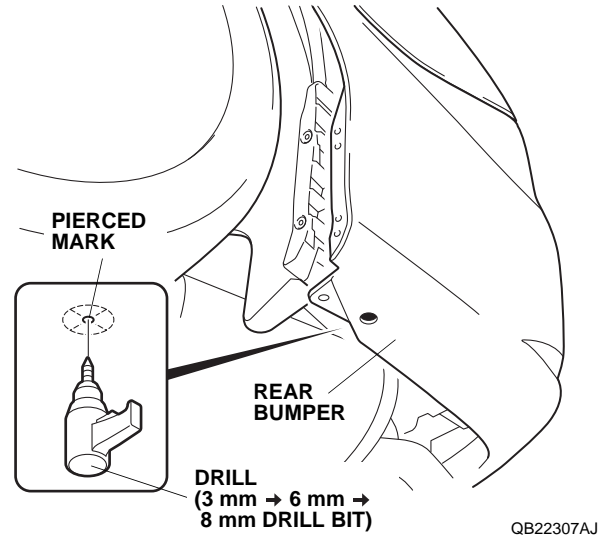
6. With the vehicle on a lift. Remove four self-tapping screws from the left rear inner fenderwell.



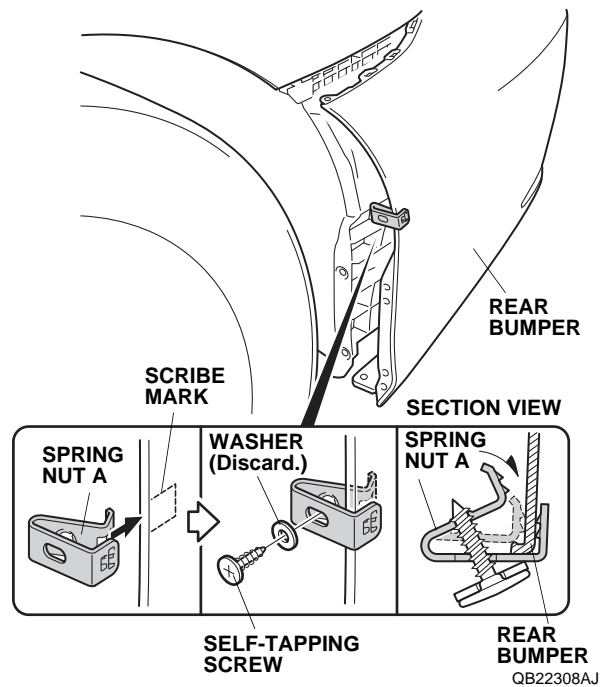
7. Pull away the rear bumper as shown. Using a pushpin, pierce the center of the scribe mark on the rear bumper.



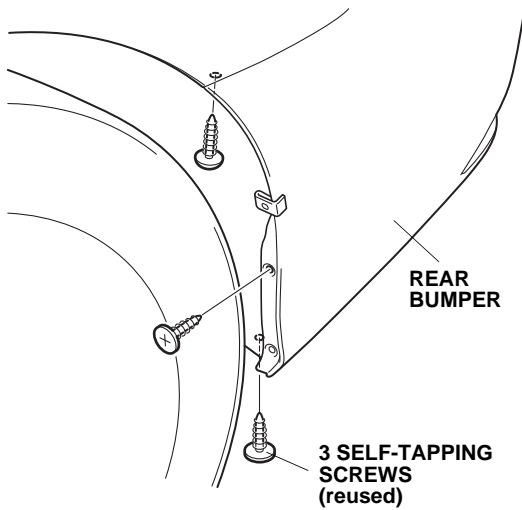
8. While wearing eye protection, drill an 8 mm hole through the pierced mark:
- First drill with a 3 mm drill bit, a 6 mm drill bit, and finish with an 8 mm drill bit.
  - Remove all burrs with a file.



9. Install one spring nut A over the scribe mark of the rear bumper. Using a washer and self-tapping screw, secure the spring nut A to the rear bumper as shown.

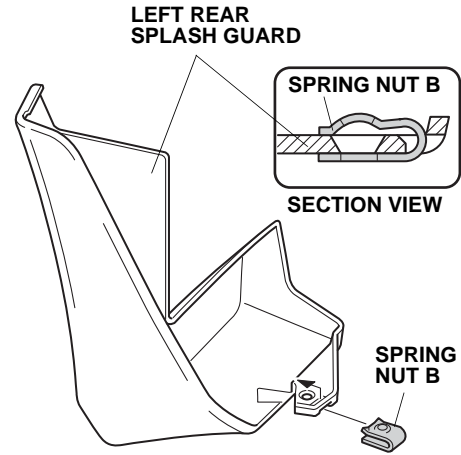


10. Remove the washer and self-tapping screw. Discard the washer, it will not be reused.
11. Reinstall the rear bumper (three self-tapping screws).



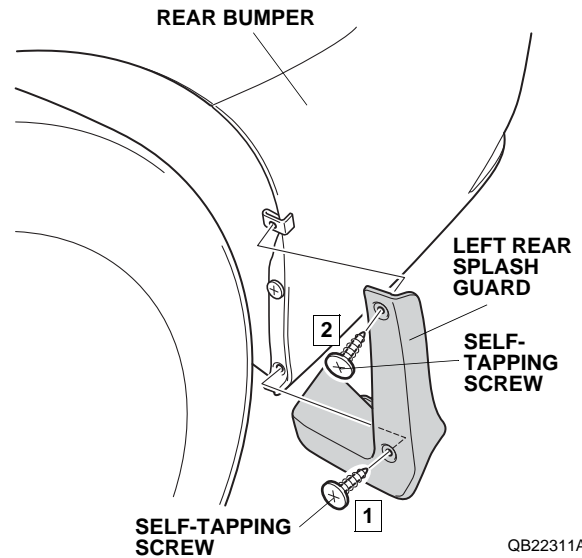
QB22309AJ

12. Install the spring nut B to the left rear splash guard in the direction shown.



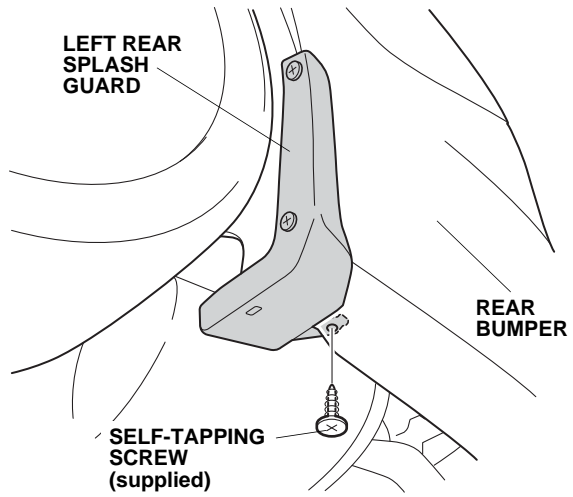
QB22310AJ

13. Install the left rear splash guard to the rear bumper with two self-tapping screws in this order **1** → **2**. Check that there is no gap between the left rear splash guard and the vehicle body. If there is a gap, loosen the two self-tapping screws, hold the splash guard against the body, and retighten the screws.



QB22311AJ

14. Secure the bottom of the left rear splash guard to the rear bumper with one self-tapping screw supplied.



QB22312AJ

15. Repeat steps 6 through 14 to install the right rear splash guard.